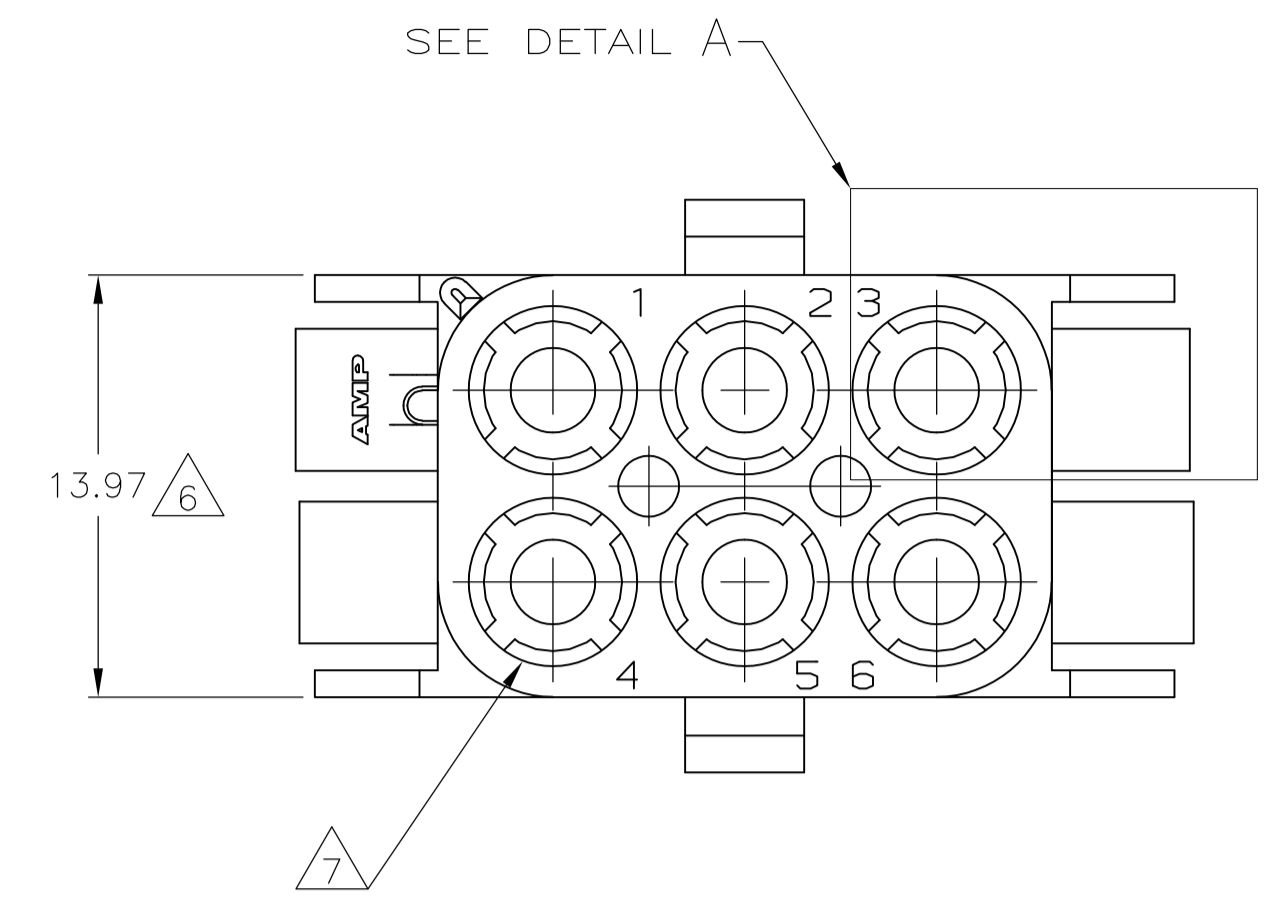
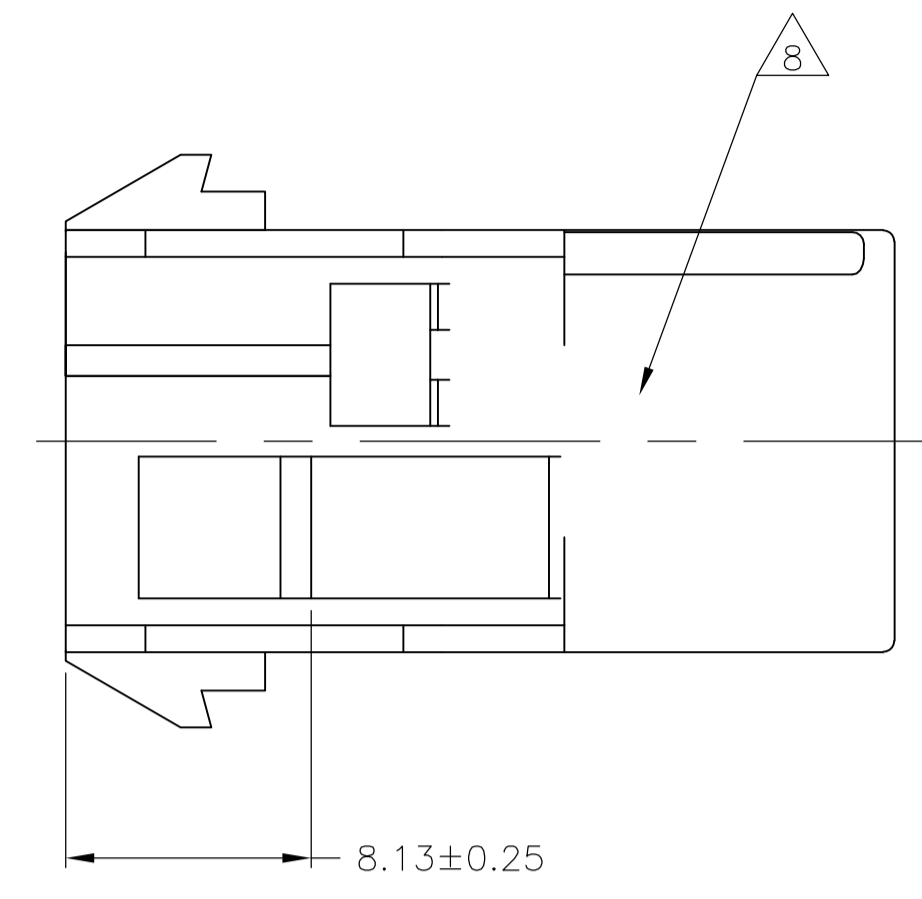
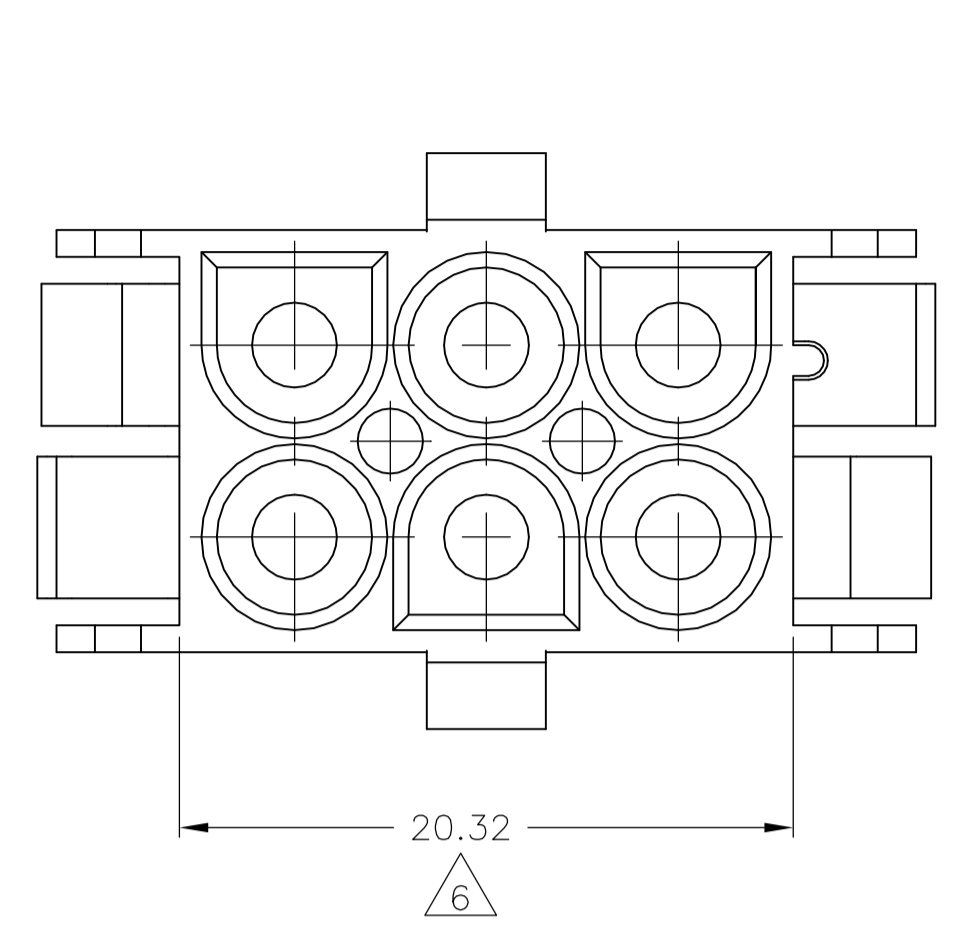
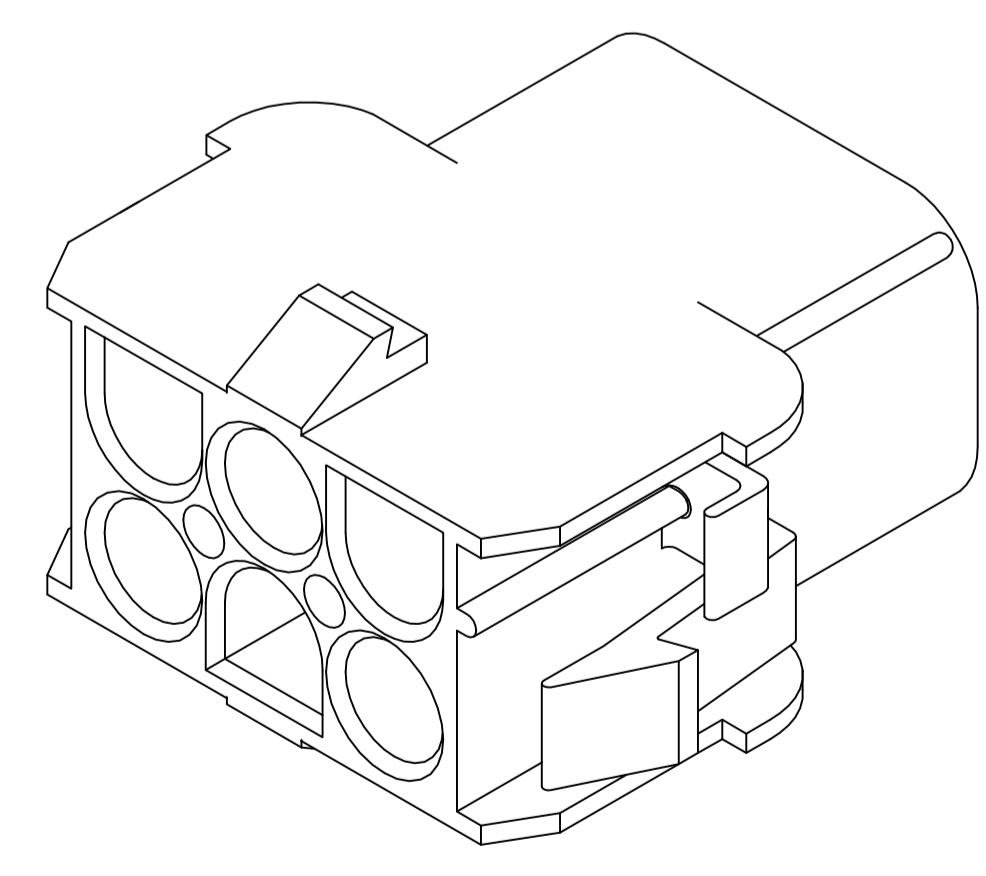
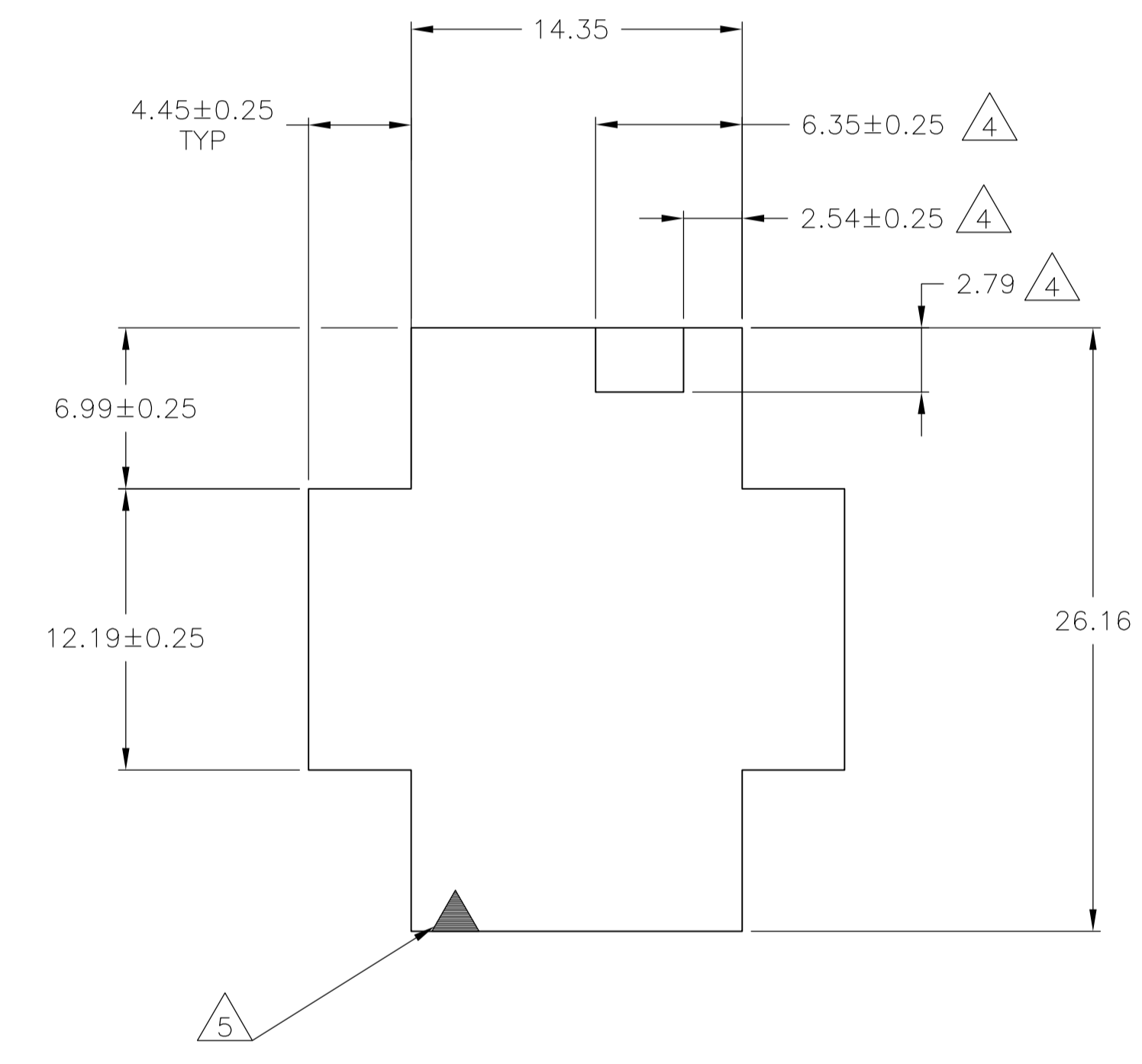
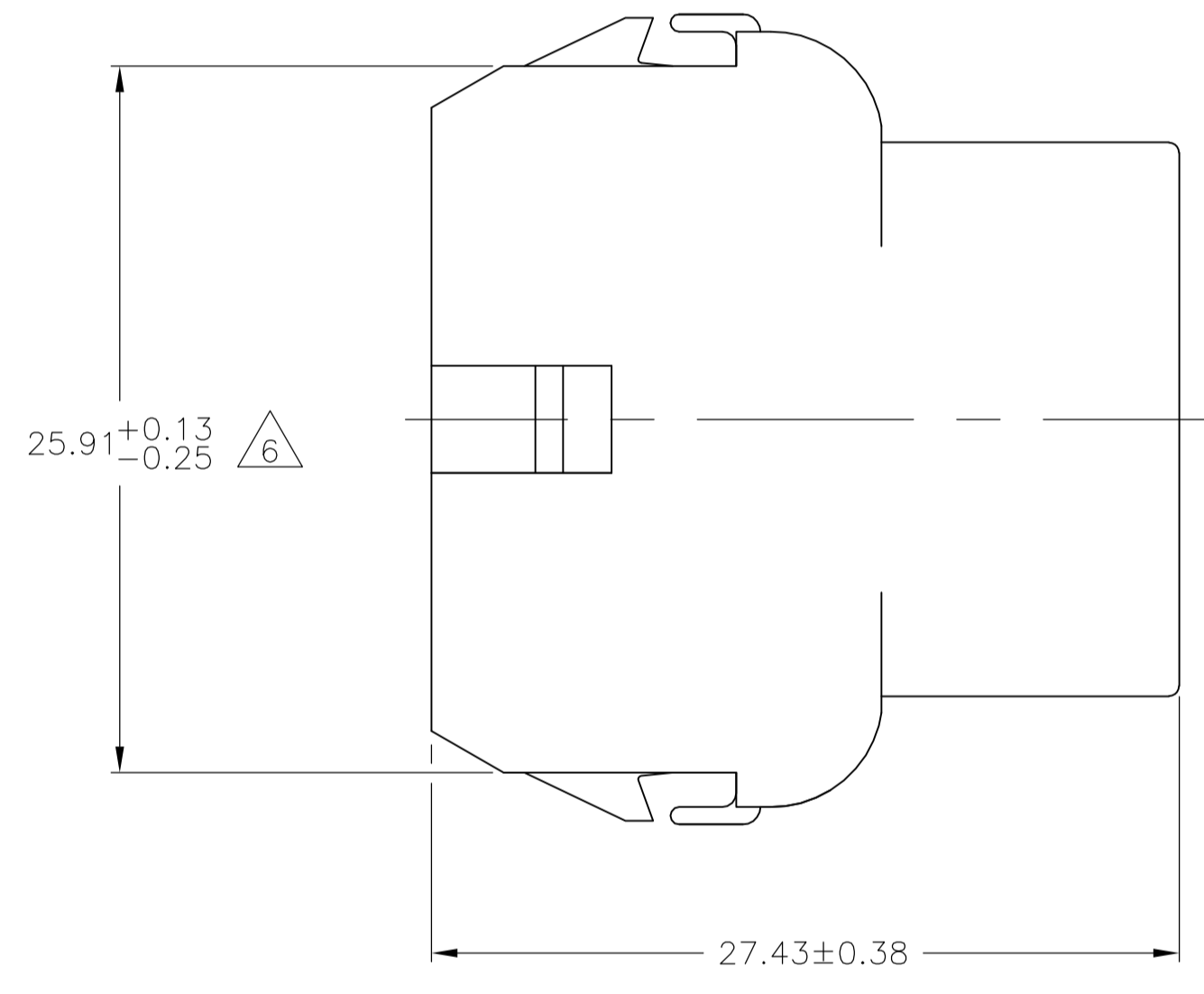
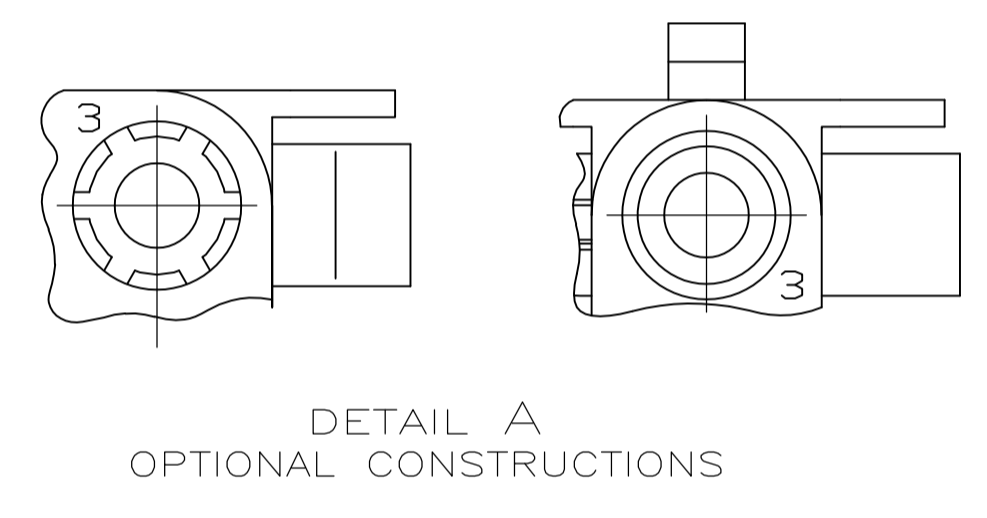


LOC		DIST		REVISIONS			
P	LTR	DESCRIPTION	DATE	DWN	APVD		
A		WR-07-085	25JUL07	KW	DC		

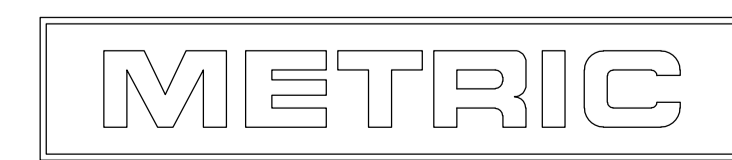


- MATES WITH APPROPRIATE UNIVERSAL MATE-N-LOK™ PLUG.
- RECOMMENDED PANEL THICKNESS 0.76 - 2.29.
- PANEL MUST BE PUNCHED SO THAT THE HOUSING ENTERS THE PANEL IN THE SAME DIRECTION AS THE PUNCH.
- OPTIONAL FOR KEYING HOUSING IN PANEL.
- CIRCUIT NUMBER 1 LOCATION.
- DIMENSION INDICATED IS AS MOLDED. ADDITIONAL GROWTH DUE TO SUBSEQUENT MOISTURE ABSORPTION MAY OCCUR.
- FOUR RIBS EQUALLY SPACED, NO SPECIFIC ORIENTATION. NO RIBS OR SIX RIBS EQUALLY SPACED, NO SPECIFIC ORIENTATION, OPTIONAL.
- UNDERWRITERS RECOGNIZED COMPONENT LOGO AND CSA CERTIFICATION LOGO TO BE LOCATED ONCE EACH ON SIDE OF HOUSING.
- GLOW WIRE APPROVED, CONTACT TYCO ELECTRONICS ENGINEERING FOR SPECIFICATION.
- ALL WALL THICKNESSES ARE BETWEEN 0.4 AND 3.



MM	IN	MM	IN
4.45	.175	27.43	1.080
3	.118	26.16	1.030
2.79	.110	25.91	1.020
2.54	.100	20.32	.800
2.29	.090	14.35	.565
0.76	.030	13.97	.550
0.4	.016	12.19	.480
0.38	.015	8.13	.320
0.25	.010	6.99	.275
0.13	.005	6.35	.250
MM	IN	MM	IN

CONVERSION TABLE



THIS DRAWING IS A CONTROLLED DOCUMENT.

DIMENSIONS: mm	TOLERANCES UNLESS OTHERWISE SPECIFIED:	DWN: K. WHITAKER 25JUL2007	CHK: D. COLEY 25JUL2007	APVD: D. COLEY 25JUL2007	NAME: D. COLEY	PRODUCT SPEC: --	APPLICATION SPEC: --	SIZE: A1	CAGE CODE: 00779	DRAWING NO: 1586860	RESTRICTED TO: --
0. PLC ± - 1. PLC ± - 2. PLC ± 0.13 3. PLC ± - 4. PLC ± - ANGLES ± 0°30' FINISH -		Tyco Electronics Corporation Harrisburg, Pa 17105-3608		CAP, 6 CIRCUIT, UNIVERSAL MATE-N-LOK(TM)		WEIGHT: --		SCALE: 4:1		SHEET: 1 of 1 REV: A	

CUSTOMER DRAWING